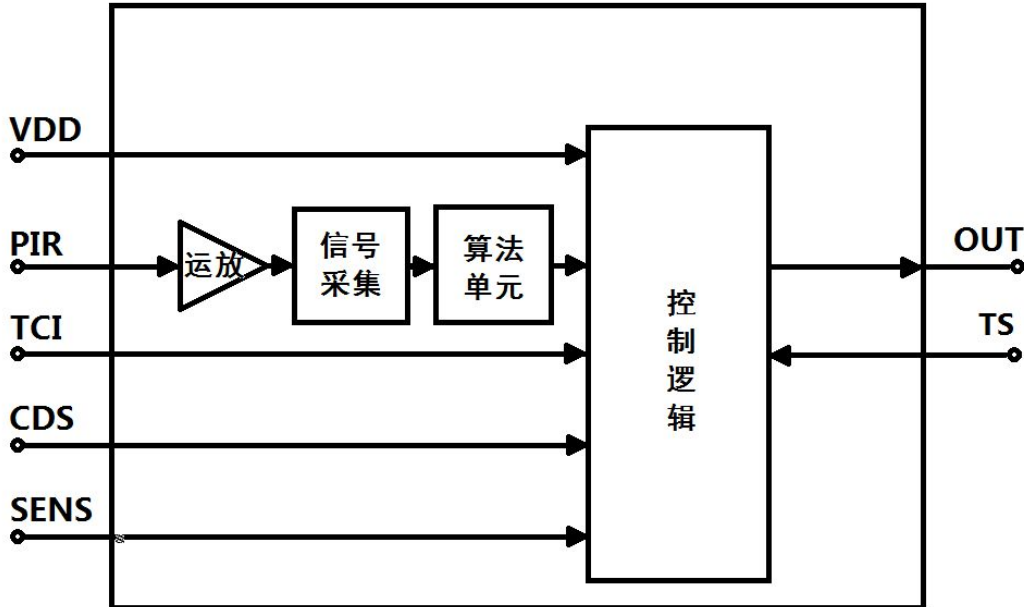


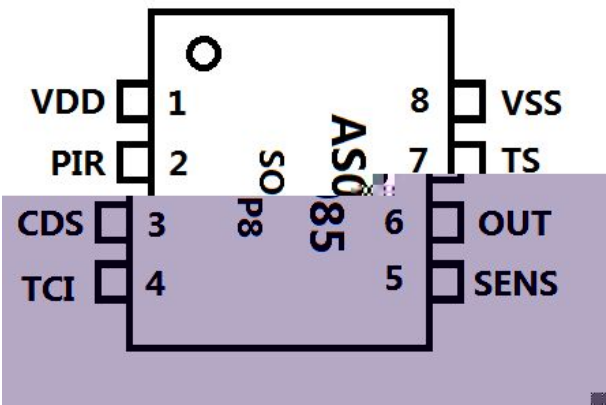
PIR
AS085-SD1

IC

IC



AS085-SD1 SOP8



PIR
AS085-SD1

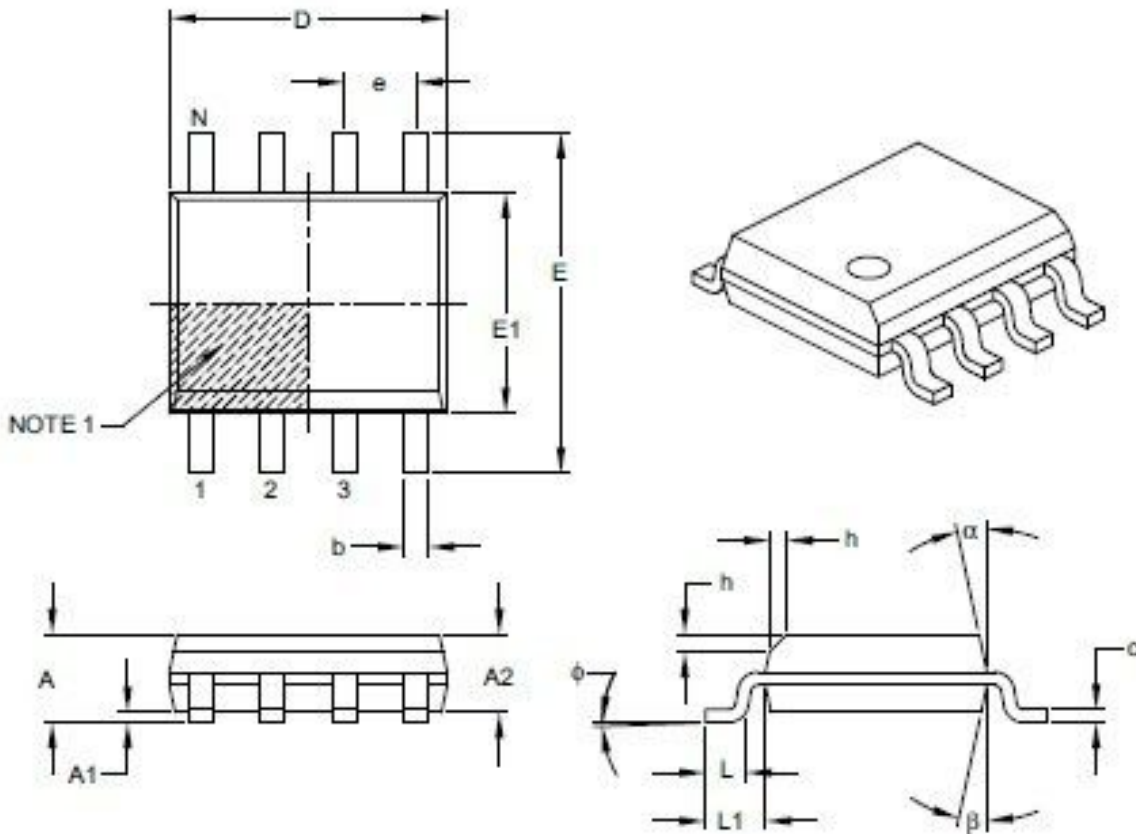
IC

1	VDD	
2	PIR	PIR
3	CDS	CDS 1.0V IC 1.0V IC R2 R2
4	TCI	OUT AS085-SD1
5	SENS	0.1V 3.3V 1.7V~2.5V
6	OUT	15
7	TS	TS 13 TCI TS VSS TCI
8	VSS	

	V _{DD}	2.5	3.3	3.6	V	—
	I _{DD}		198		uA	V _{DD} = 3.3V TS
V _{OUT}	I _{OH}			10	mA	V _{DD} = 3.3V V _{OL} = 0.3V
	Temp.	-40	25	85		—
	Temp.	-65	25	150		—

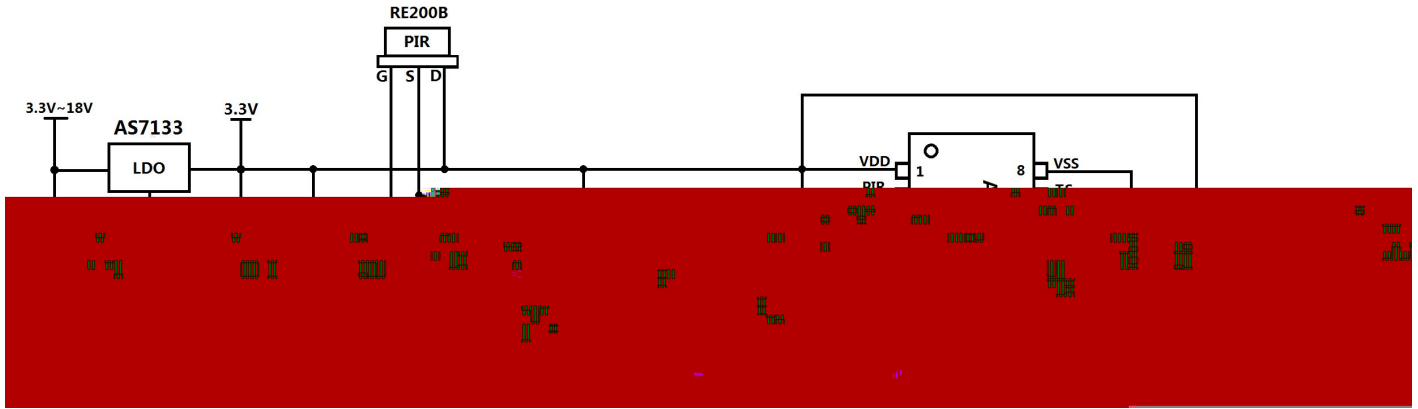
IC

SOP8



Dimension Limits	Units	MILLIMETERS		
		MIN	NOM	MAX
Number of Pins	N	8		
Pin Pitch	e	1.27 BSC		
Lead Height	A	-	-	1.75
Lead Package Thickness	A2	1.25	-	-
Lead Thickness	A1	0.10	-	0.25
Lead Width	E	6.00 BSC		
Lead Package Width	E1	3.90 BSC		
Lead Length	D	4.90 BSC		
Lead Length (optional)	h	0.25	-	0.50
Lead Length	L	0.40	-	1.27
Lead Width	L1	1.04 REF		
Lead Angle	ϕ	0°	-	8°
Lead Thickness	c	0.17	-	0.25
Lead Width	b	0.31	-	0.51
Lead Draft Angle Top	α	5°	-	15°
Lead Draft Angle Bottom	β	5°	-	15°

IC



TS VSS R4

TCI		TCI	VDD	600
TCI		TCI	VSS	2

1 PIR SENSER AS085

2 PCB

3

4