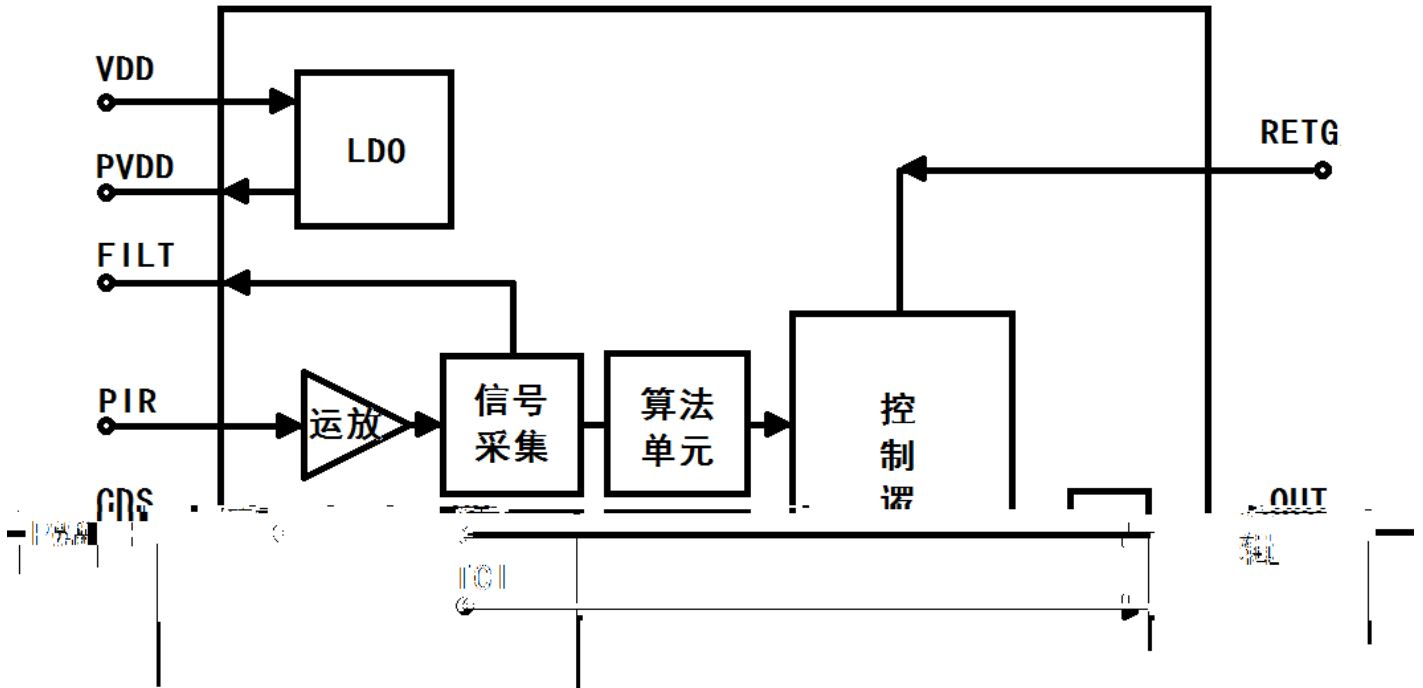


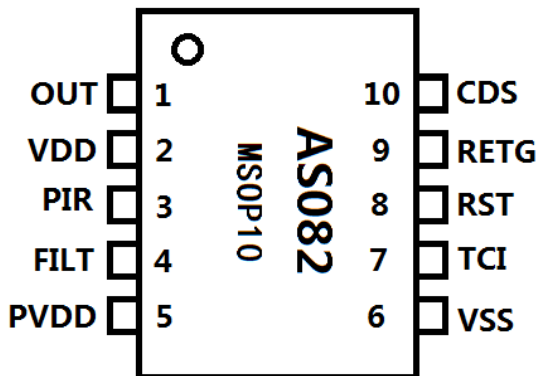
PIR
AS082

IC

IC



AS082 MSOP10



PIR
AS082

IC

1	OUT	PWM	IC	35
2	VDD			
3	PIR	PIR		
4	FILT			
5	PVDD	CDS		
6	VSS			
7	TCI		12	
8	RST			
9	RETG	S1 VSS	RETG	
10	CDS	CDS 0.7V IC	0.7V IC R4	R4

	V _{DD}	2.8	3.3	3.6	V	—
	I _{DD}	45	72	370	uA	VDD = 3.3V
V _{OUT}	I _{OH}			10	mA	VDD = 3.3V V _{OL} = 0.3V
	Temp.	-40	25	85		—
	Temp.	-65	25	150		—



PIR
AS082

IC

AS082

S1

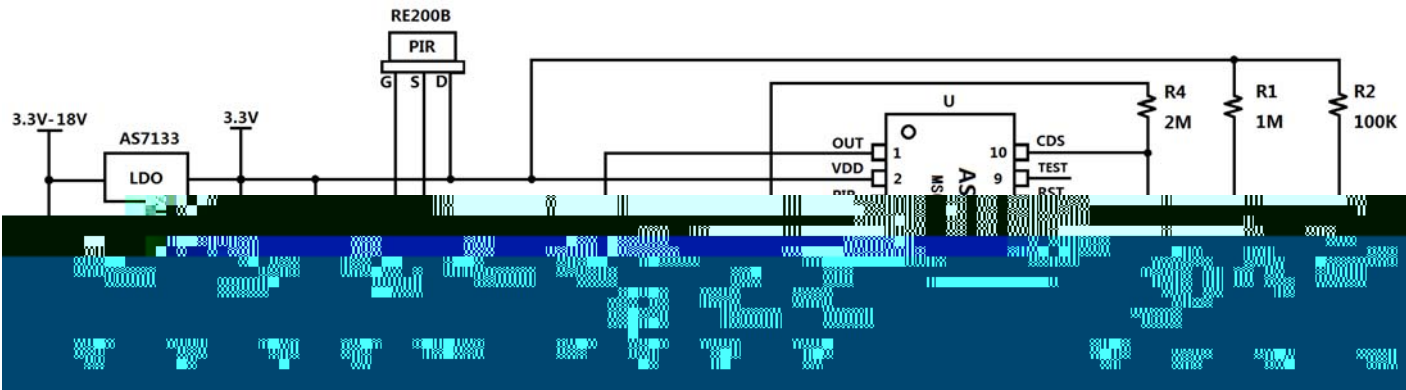
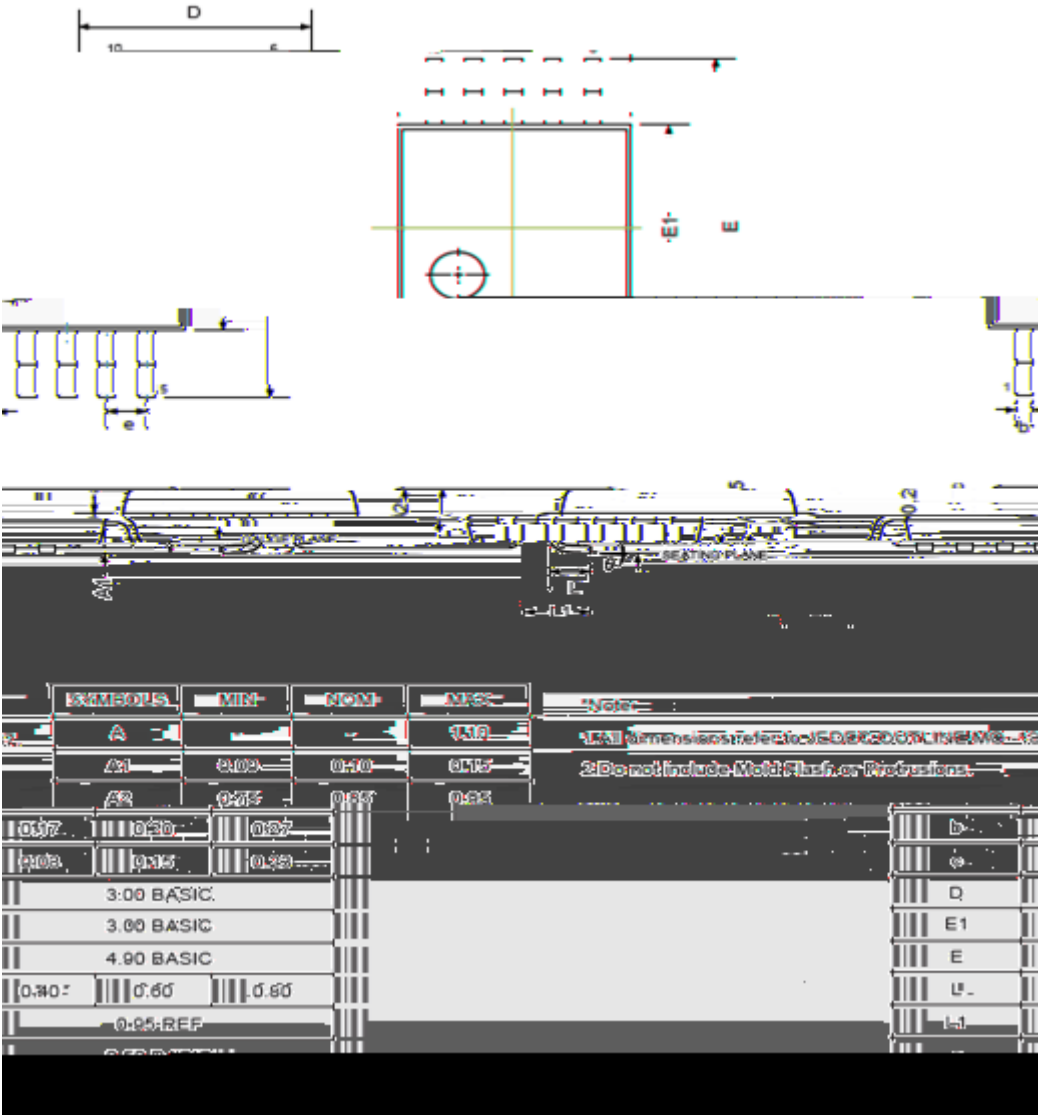
S2

SC1

PIR
AS082

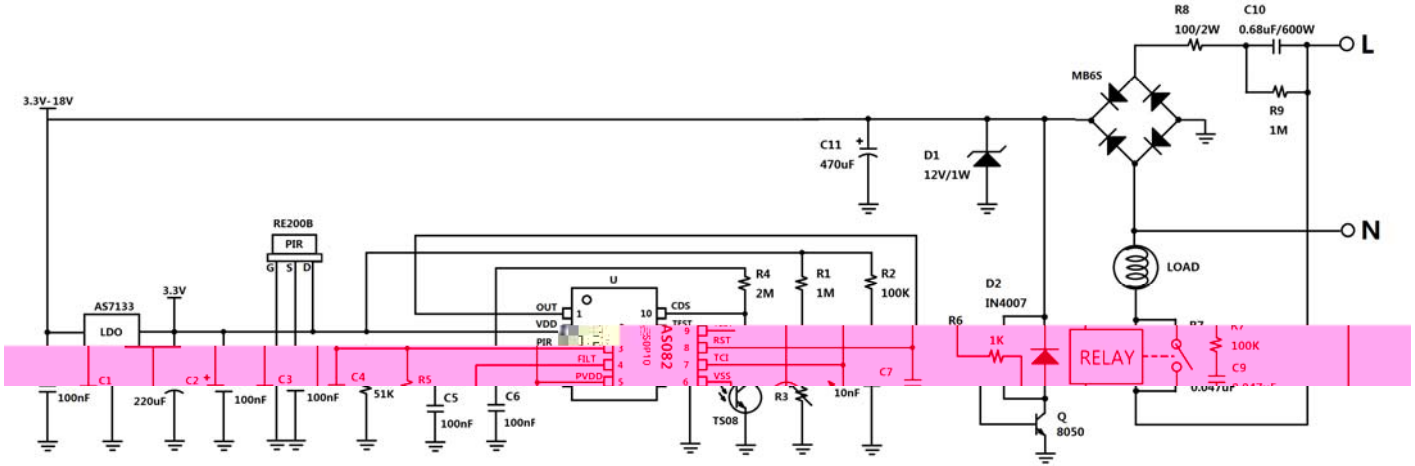
IC

MSOP10



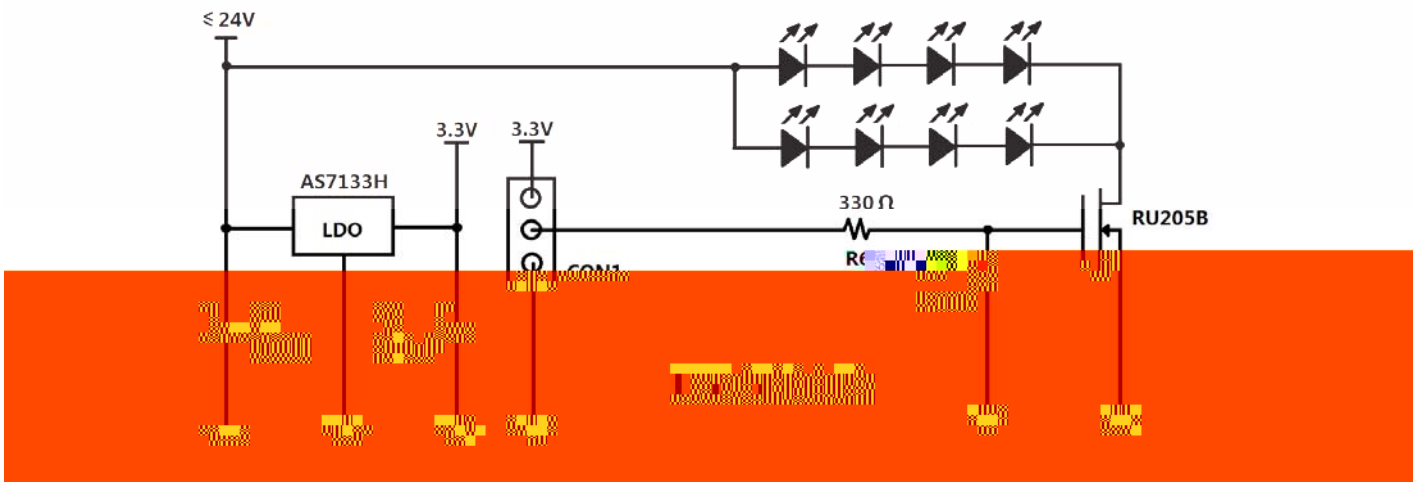
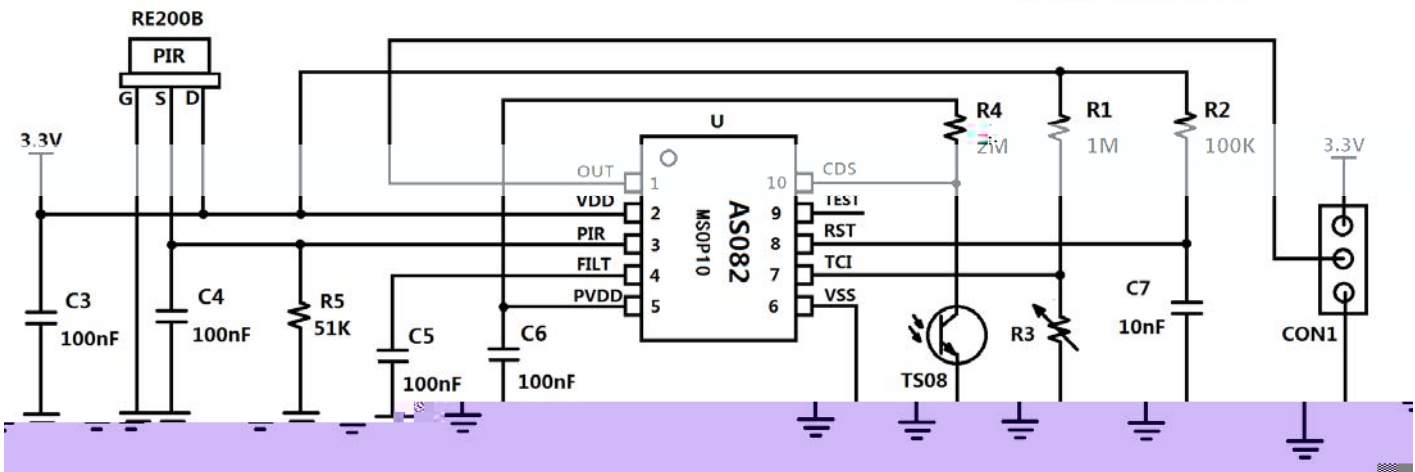
PIR
AS082

IC



LED

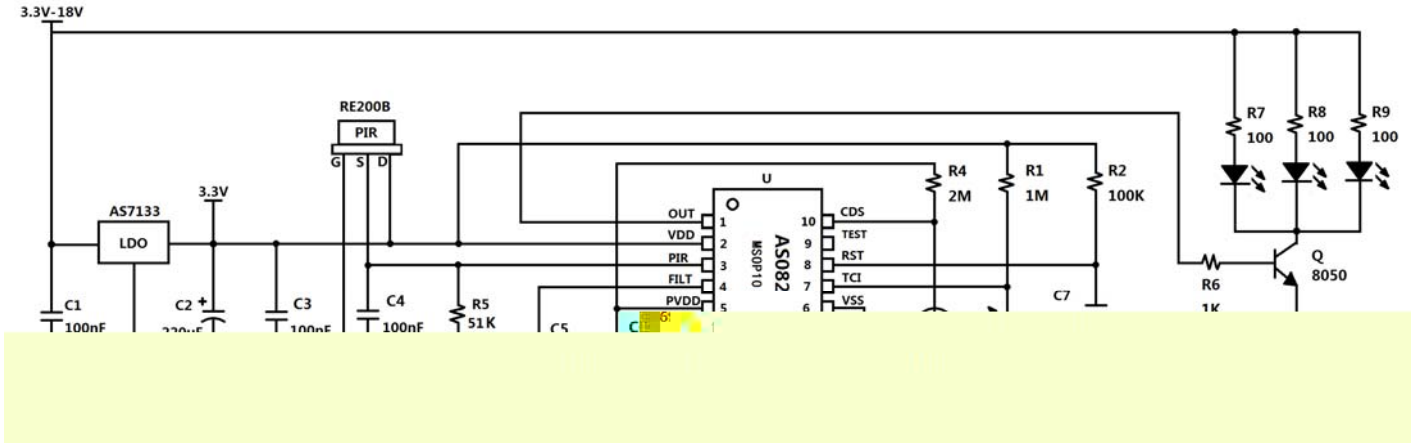
顶部圆板感应电路



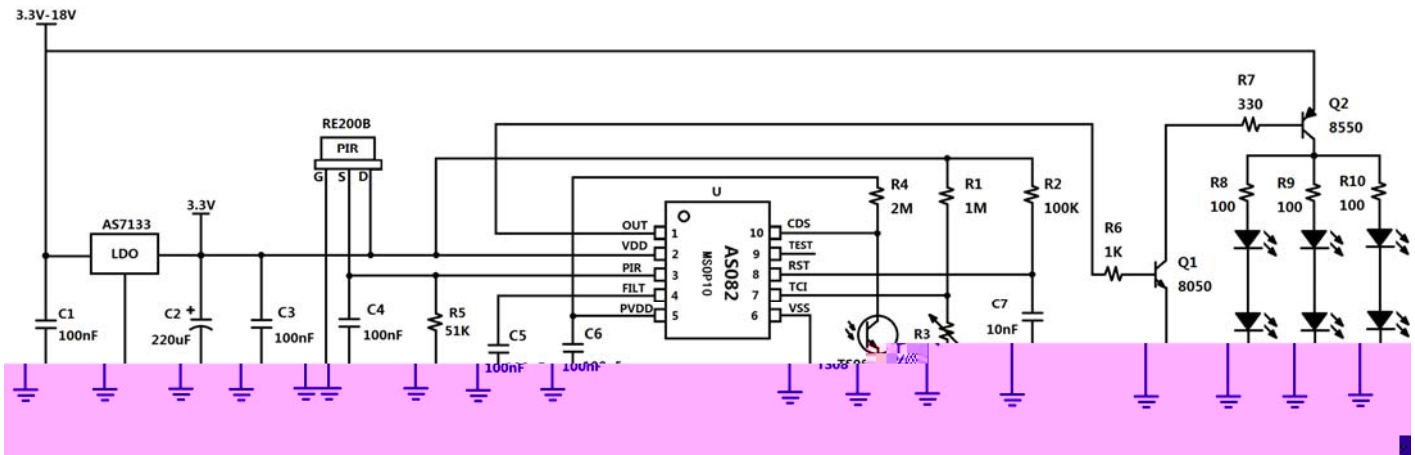
PIR
AS082

IC

LED



LED



PIR
AS082

IC

R3

12

R3	
2M	1
1M	5
910K	10
820K	15
750K	20
680K	30
560K	45
470K	60
390K	90
300K	120
200K	180
100K	300

VDD 3.3V

1 PIR SENSER AS082

2 PCB

3

4

PIR
AS082

IC

V1 25mm 3.3V + LED

LED

3.3V

