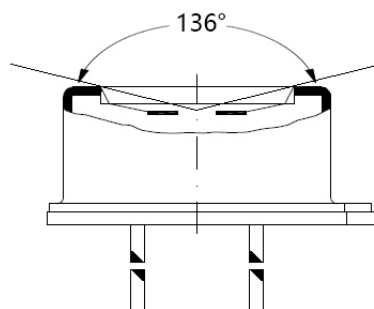


PIR
<b>D210HM</b>

**Pyroelectric Infrared Sensor**

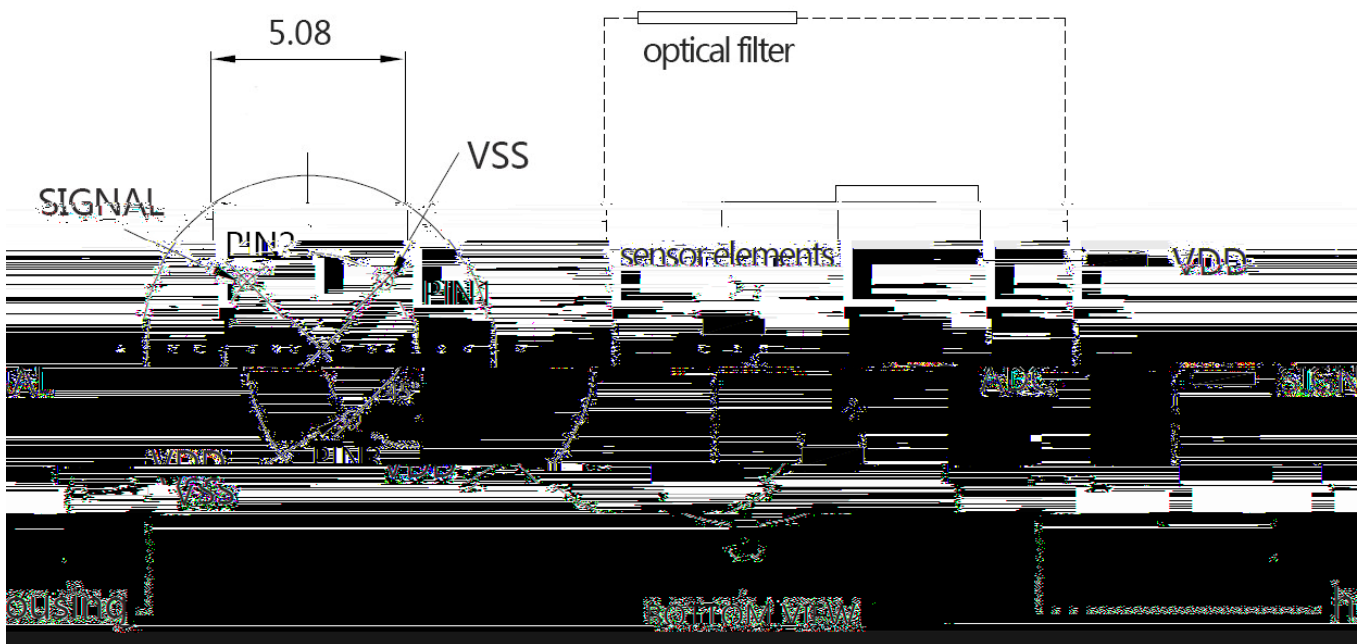
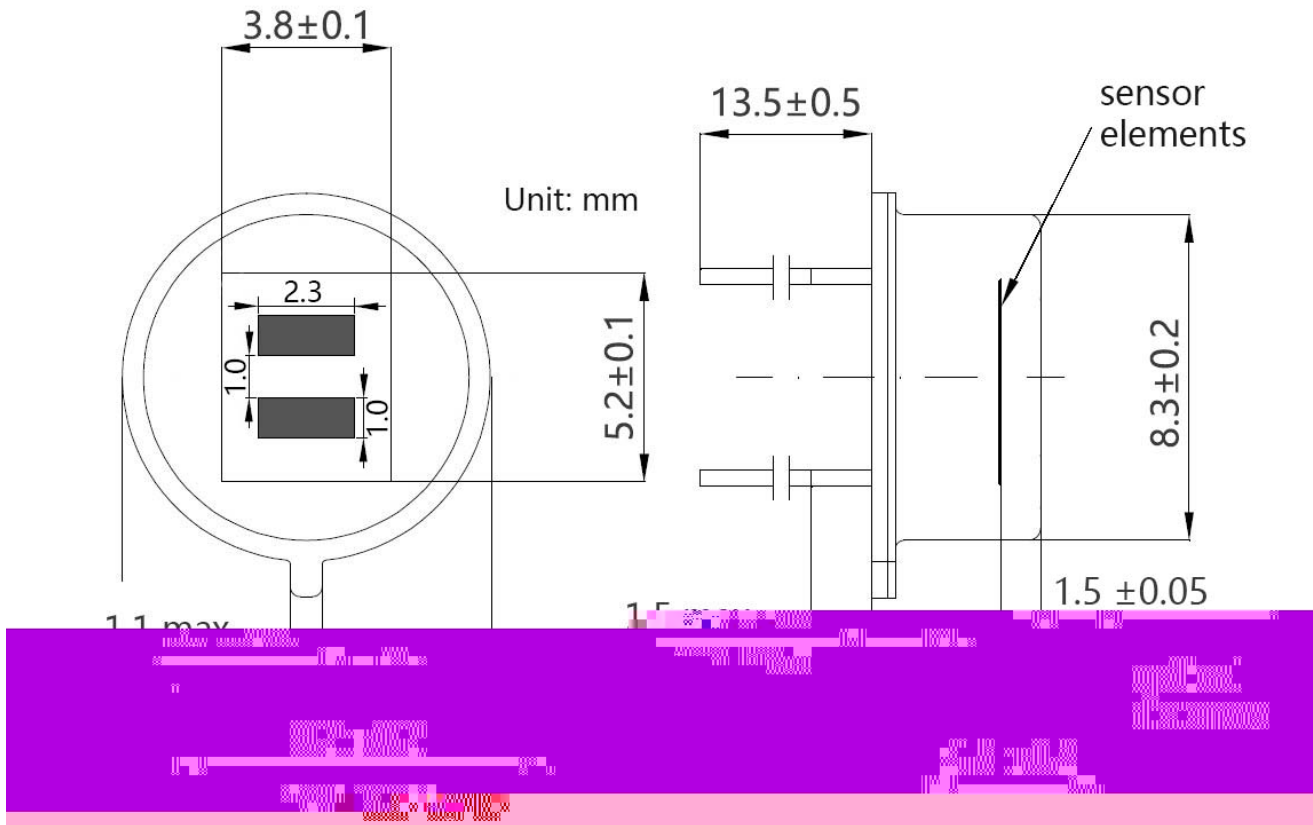
D210HM

**Horizontal Field Of View**



PIR
D210HM

Pyroelectric Infrared Sensor



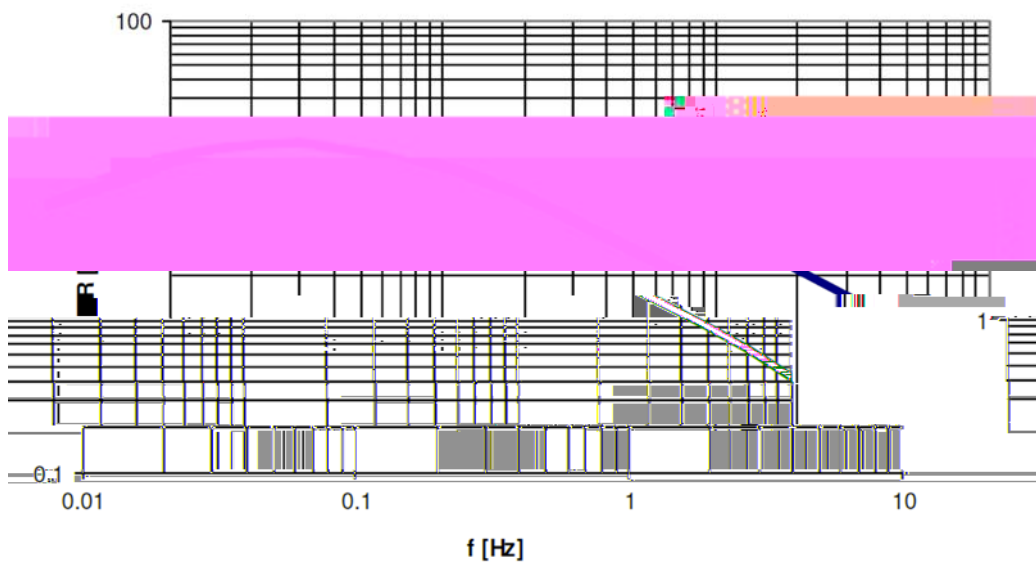
PIR
D210HM

**Pyroelectric Infrared Sensor**

PIN1	VSS	
PIN2	SIGNAL	
PIN3	VDD	

	2.4		3.6	V	
		9.5		μA	VDD=2.5V
	20		60	μVp p	25 0.3-3Hz
	3.3	4.0		kV/W	373K(100 ) 1Hz
	1.4	1.5	1.6	μV/coun	Frequency 32kHz
		TO 5			
		136		°	
		2.3 × 1.0		mm <sup>2</sup>	
		1.0		mm	
	-20		85		
	-40		85		

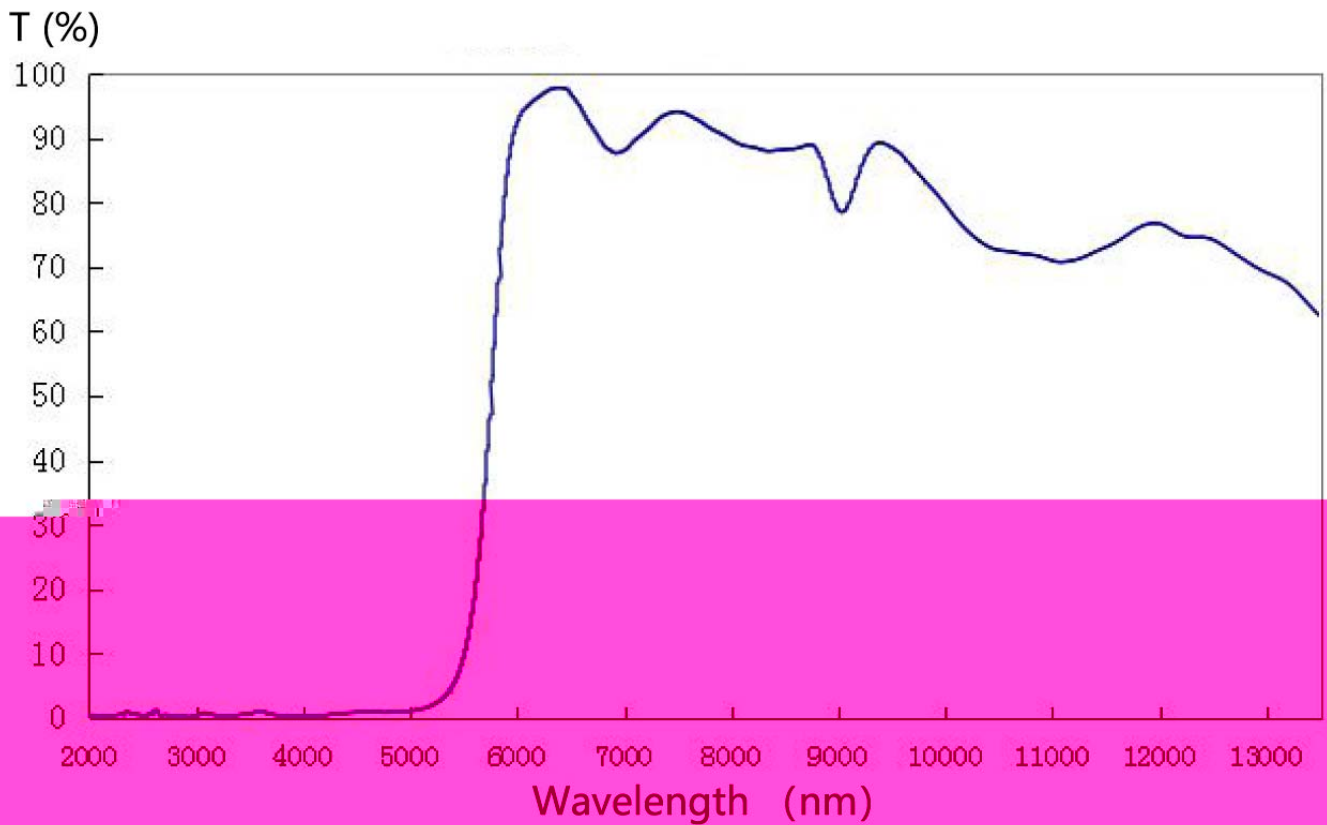
**0.4 Hz~7.0Hz**



PIR
D210HM

Pyroelectric Infrared Sensor

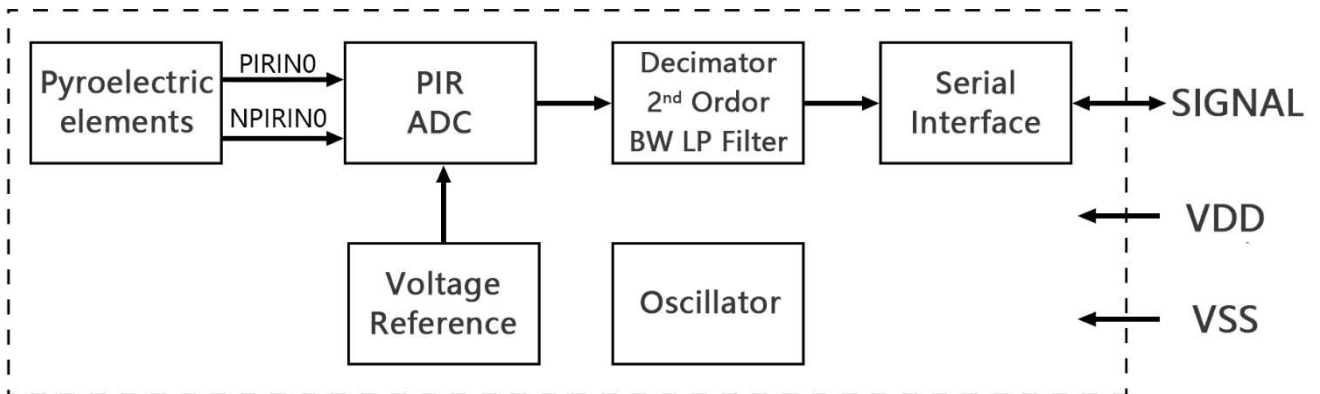
						/
1	T <sub>A1</sub>	70			%	7.5μm < < 13.5μm
2	T <sub>A2</sub>			0.5	%	< 5μm
	(5%)	5100	5500	5900	nm	25



PIR
D210HM

**Pyroelectric Infrared Sensor**

	-		200		$\mu A$
	-		130		$\mu A$
	$V_{IL}$			20%	$V_{DD}$
	$V_{IH}$	80%			$V_{DD}$
ADC	-		16		Bit
	$F_{OSC}$	28.8	32	35.2	KHz
	$F_{CLK}$		$F_{OSC}/2$		KHz



PIR
<b>D210HM</b>

**Pyroelectric Infrared Sensor**



1

5

100°C

260°C

2

3

0.6mm

240-300°C

1

1mm

3

PCB

PCB

PCB

1 3mm

1mm