

RKT
F432JZ

**Pyroelectric Infrared Sensor**

\* +





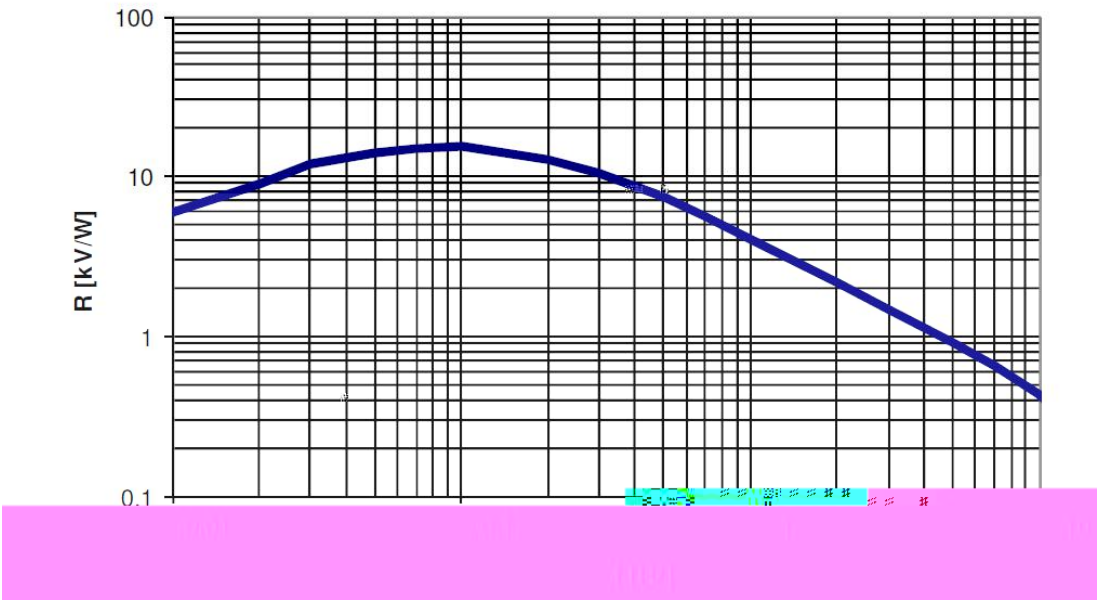
RKT
F432JZ

**Pyroelectric Infrared Sensor**

1	VDD	
2	SIGNAL	
3	VSS	

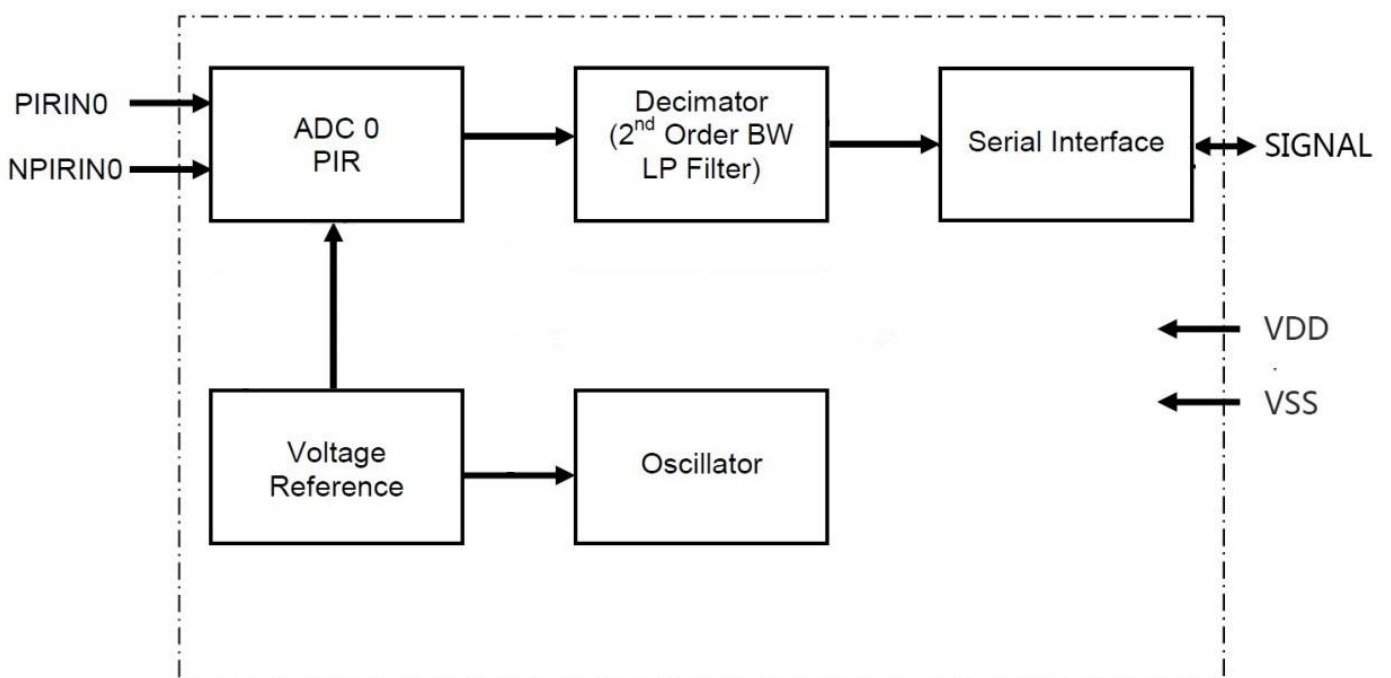
				V	
				μA	
				μVp-p	~

**0.4 Hz~7.0Hz**



RKT
F432JZ

**Pyroelectric Infrared Sensor**

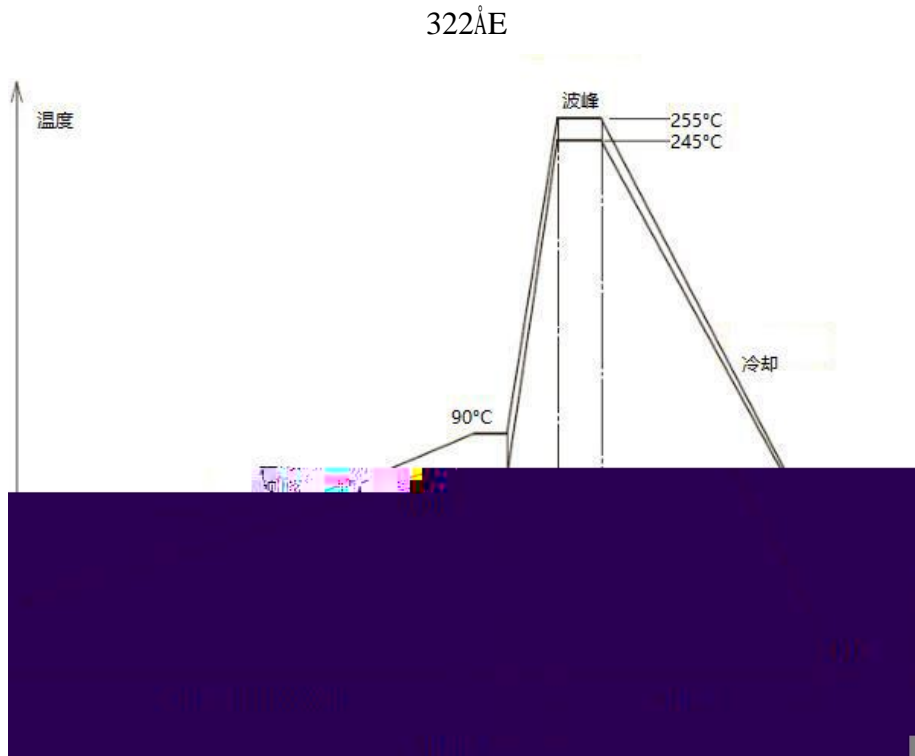
RKT
F432JZ

**Pyroelectric Infrared Sensor**

3

7

482ÅE



4

462/522ÅE

3

5

20800

300

5

RED

RED

RED

3 500

300

6

/

500

7

8

9

: